

Contents of Carton

- One Hauler Assembly
- One Hardware Pack
- One Tongue Assembly
- One Operator's Manual
- Two Wheel Assemblies

NOTE: All references to LEFT, RIGHT, FRONT, and REAR indicate the hauler position when seated in the tractor's operator seat and facing forward.

Hardware Pack

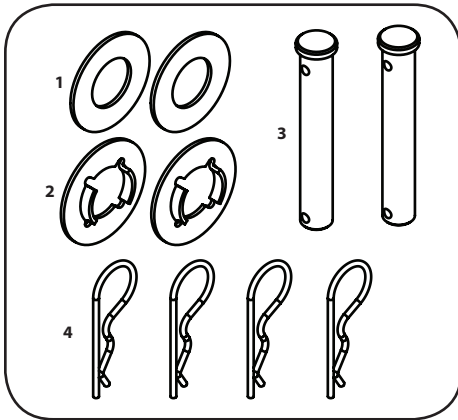


Figure 3-1

The contents of the hardware pack are listed below and referenced in Figure 3-1.

1. Two (2) Flat Washers, .760 x 1.490 x .060 (736-0351)
2. Two (2) Flange Washers, .781 x 1.590 (736-04228A)
3. Two (2) Clevis Pins, .50 x 3.25 (711-06472)
4. Four (4) Cotter Pins (714-3020)

Hauler Preparation

1. Carefully unpack the contents of the carton and unwrap and cut any cable ties securing the contents in the carton.
2. Carefully stand the hauler up as shown in Figure 3-2.

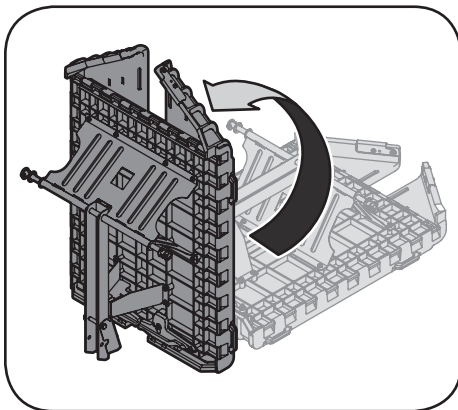


Figure 3-2

3. Before installing the wheels, the axles and the inside of the rims should be greased. Apply some grease (not supplied) to the exposed portion of the axle and coat the axle completely. Apply a small amount of grease (not supplied) into the rim hub.
4. Slide the inner flat washer from the hardware pack, the tire and outer flanged washer from the hardware pack onto the axle as shown in Figure 3-3. Make sure the valve stem on the tire rim is facing outward.

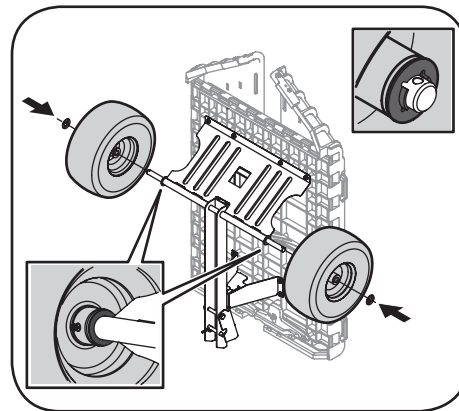


Figure 3-3

5. Install the cotter Pins from the hardware pack through the holes in the axles to secure the tires in place. See Figure 3-4.

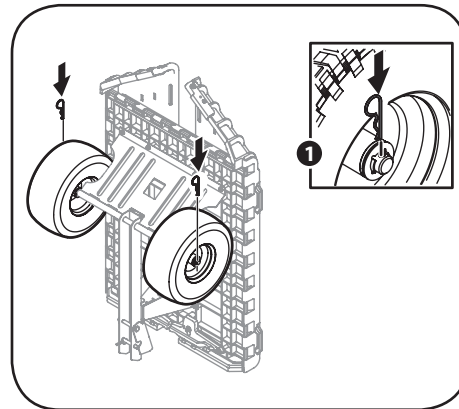


Figure 3-4

6. Carefully set the hauler down onto its wheels.
7. Locate the panel latch on the front of the hauler. Push the panel latch inward and raise the sides of the hauler bed. See Figure 3-5.

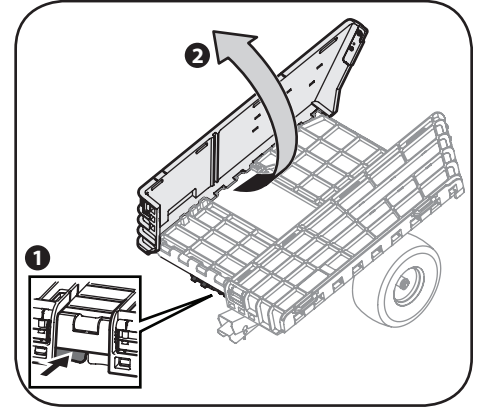


Figure 3-5

8. Repeat Step 7 on the other side of the bed.
9. With both sides now raised, lift the front panel up and insert the front panel into the side panels pull outward on the tabs until they click into place. See Figure 3-6.

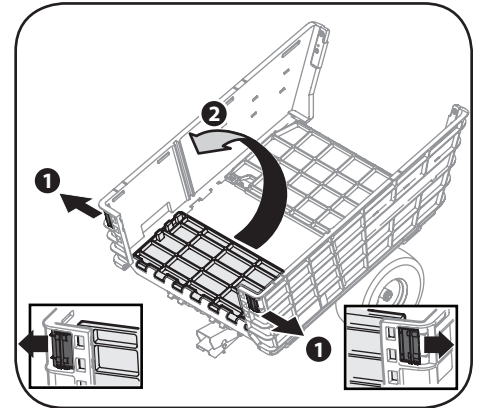


Figure 3-6

10. Lift the tailgate latches and then lift the tailgate into place. See Figure 3-7.

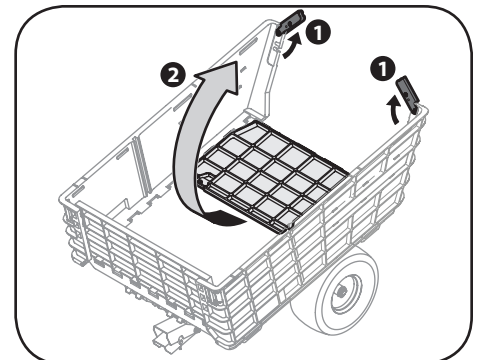


Figure 3-7

- When the tailgate is in position, secure it in place by snapping the tailgate latches onto the tailgate. See Figure 3-8.

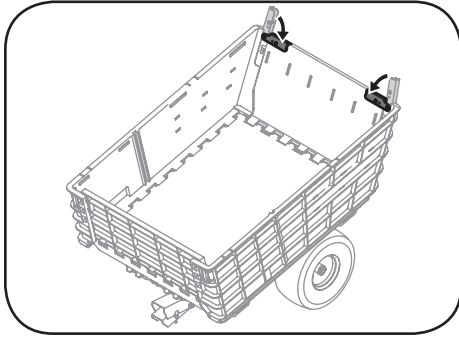


Figure 3-8

- Remove the clevis pin and the cotter pin from the hardware pack.

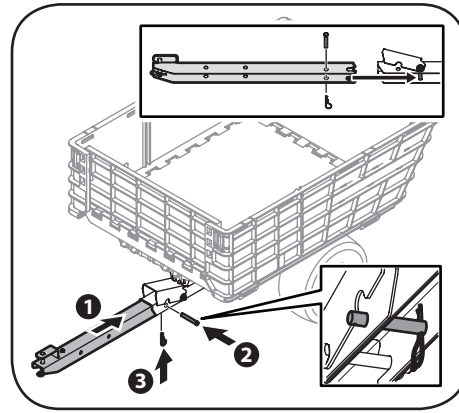


Figure 3-9

- Slide the tongue assembly into the tongue bracket as shown in Figure 3-9. Line up the rear-most hole with the hole in the tongue bracket and insert the clevis pin through the tongue assembly and the tongue bracket. Secure the clevis pin with the cotter pin as shown in Figure 3-9.

- Be sure that the clevis pin is installed on the interior of the tongue assembly and the tongue bracket as shown in the inset in Figure 3-9.

Checking Tire Pressure



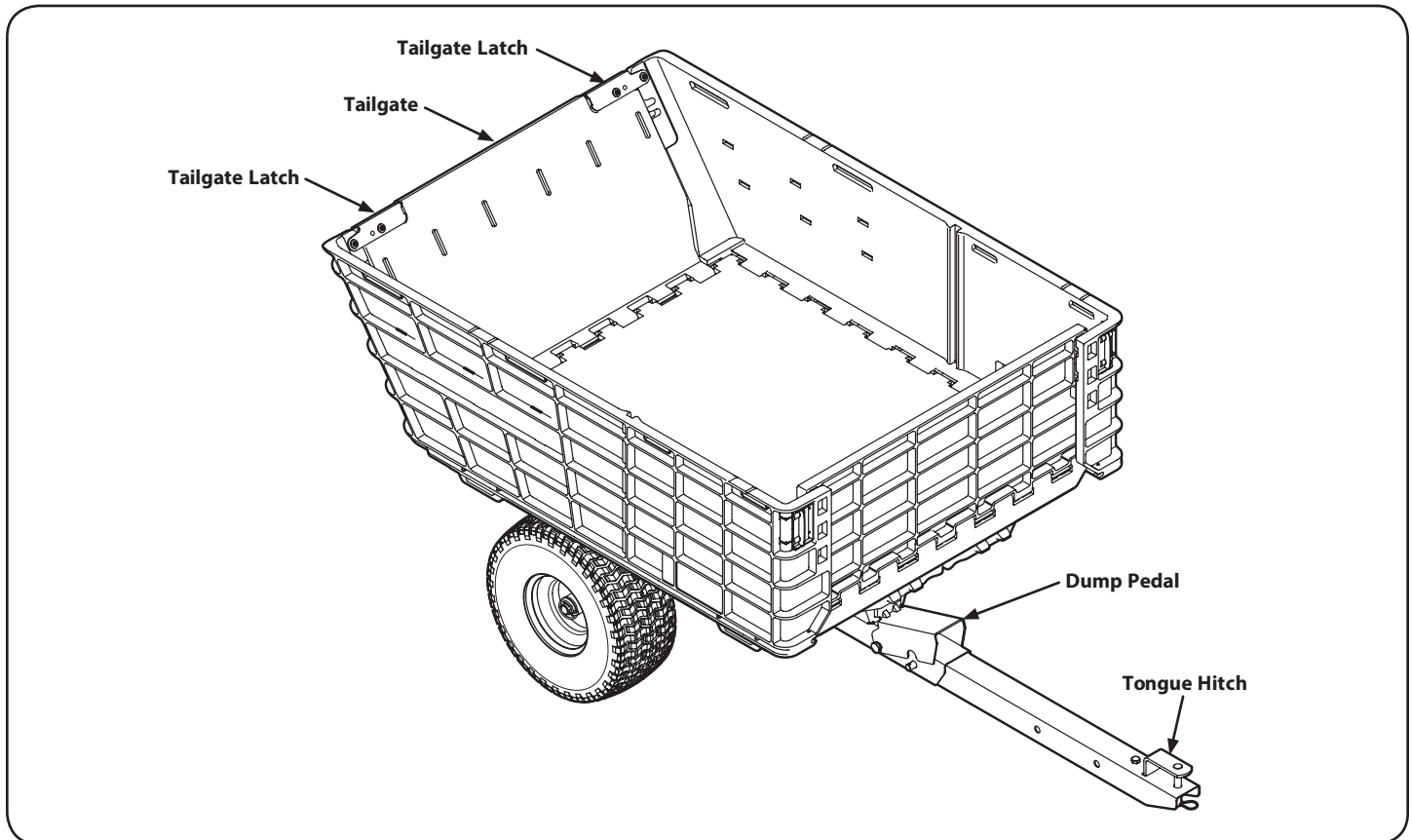
Warning! Equal tire pressure should be maintained at all times. Refer to the tire sidewall for proper pressure.

The tires on your hauler may be over-inflated for shipping purposes. Adjusting the tire pressure before using the hauler may be required. Check the sidewall of tire for maximum p.s.i.

NOTE: The recommended tire pressure is 14 p.s.i.

Controls & Features

4



NOTE: References to LEFT, RIGHT, FRONT, and REAR indicate that position on the hauler when facing forward while seated in the tractor's operator seat.

Tailgate

The tailgate is located on the back of the hauler and can be opened for loading and locks into place with the use of the two tailgate latches.

Tailgate Latches

The tailgate latches are located on the rear of the hauler and are used to secure the tailgate.

Tongue Hitch

The tongue hitch is located on the front of the tongue and is used to hook the hauler up to your tractor.

Dump Pedal

The dump pedal is located on the tongue and can be used to dump the contents of the hauler.